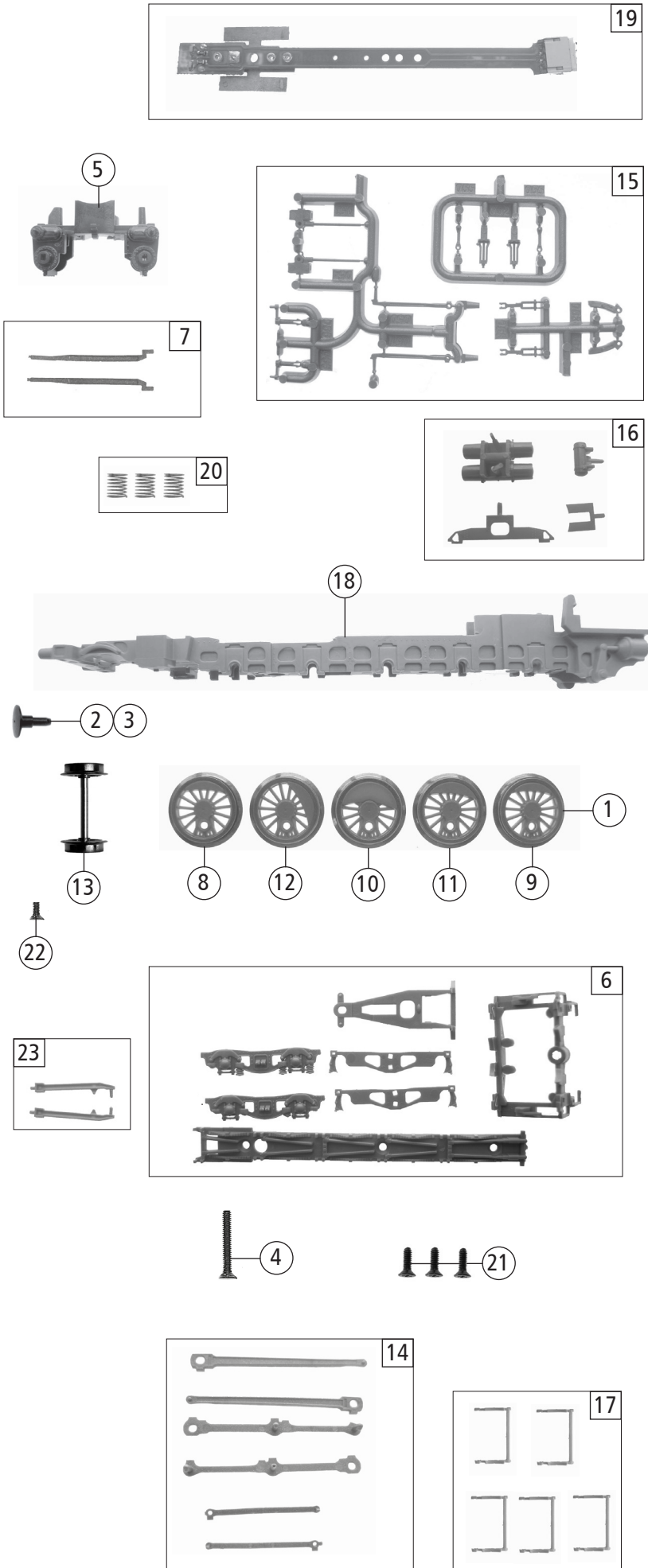
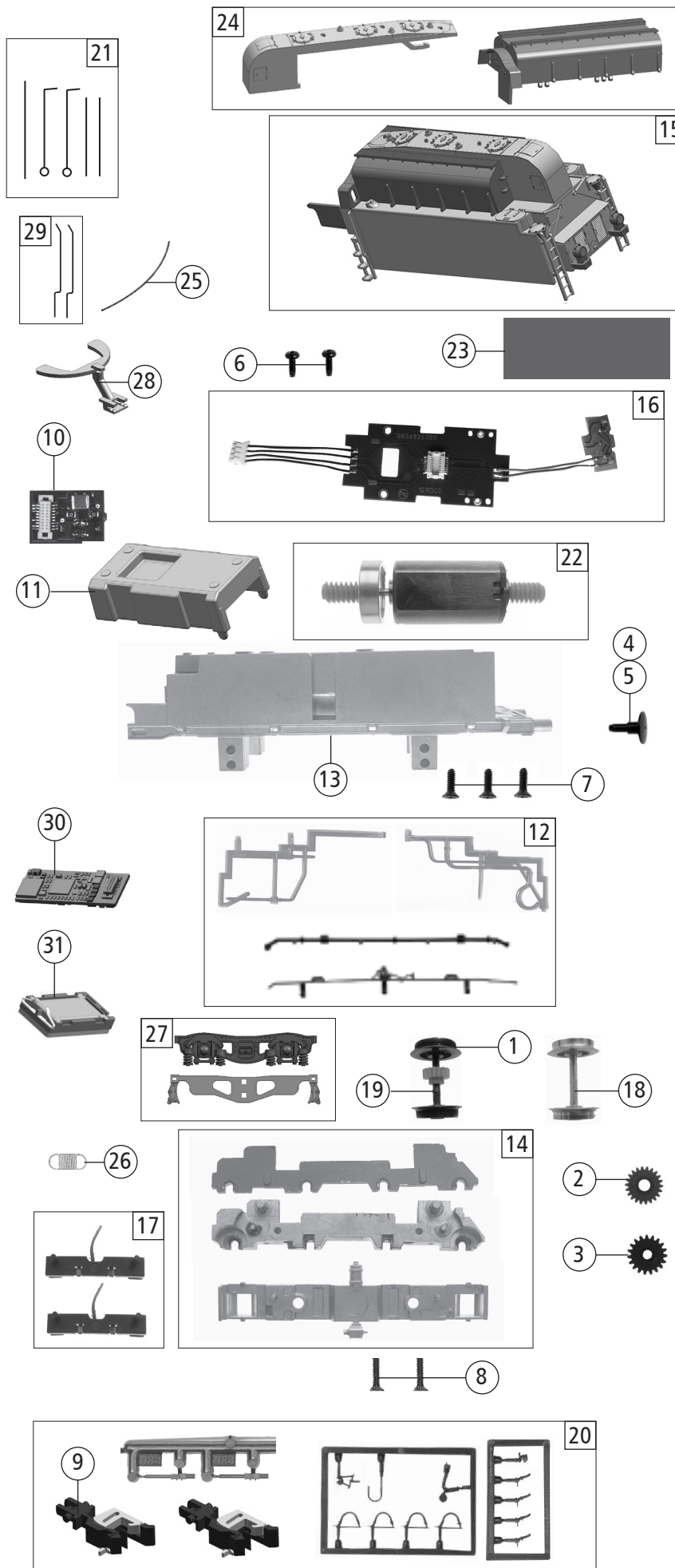


Pos. Nr. Pos.no.	Beschreibung Description	Art.-Nr. Art.no.	Preisgruppe Price bracket
1	Kessel kpl. Betr. Nr. 44 9272-4 Boiler compl. Loco no. 44 9272-4	148585	34
2	GF-Schraube M2x5 mm Self-tapping screw	114966	3
3	TS-Windleitbleche, Kesselbod. Part set smoke deflector, boiler bottom	126577	12
4	TS-Tendertür, Stütze, FH-Rückwand Part set tender door, control cab rear wall	126580	12
5	TS-Kupplungsdeichseln+Stützen Part set coupling reception and support	126583	13
6	TS-Fenster, Lichtleiter, Linse Part set window, light conductor, lens	126584	13
7	TS-Generator, Leitungen Part set generator, wires	126585	6
8	TS-Sandrohre, Ventile m. Handr. Part set sand pipes, valves w. handwheel	126586	7
9	TS - Lampen, Pumpen Part set lamps, pumps	126593	10
10	Loknummertafel Betr.nr. 44 9272-4 Loco number board loco no 44 9272-4	148587	8
11	TS-Leiter, Schaltstange Part set ladder, control rod	126596	10
12	Umlauf lackiert Running board painted	141182	13
13	TS-Lok + Tendergewichte Part set loco and tender ballast	141776	12
14	Zugfeder Draw spring	86208	3
15	Führerhaus Driver's cab	148586	17
16	TS-Drahtstangen Part set thread rod	126629	10
17	TS-Kessel Part set boiler	141184	8

Änderungen in Konstruktion und Ausführung vorbehalten  
We reserve the right to change the construction and specification



Pos. Nr. Pos.no.	Beschreibung Description	Art.-Nr. Art.no.	Preisgruppe Price bracket
1	Haftringsatz 10Stk. 7,8x0,5x1,3 mm Set w. traction tyres 10pieces	948006	---
2	Puffer rund flach Buffer round flat	107658	5
3	Puffer rund gewölbt Buffer round curved	107659	5
4	SK-Schraube M1,6x16/6 mm SK-Screw	123585	3
5	Zylinderblock lackiert Cylinder block painted	129029	10
6	TS-Vorlaufgestell,Lokboden,Steuerrahmen Part set bogie frame,loc.chassis,control frame	126581	13
7	Kreuzkopfführung links+rechts Cross-head guidance	139723	9
8	Kuppelradsatz kleines Gewicht Coupled wheelset small weight	126587	11
9	Radsatz kleines Gewicht Wheelset small weight	126588	12
10	Treibradsatz grosses Gewicht Driving wheelset big weight	126589	11
11	Kuppelradsatz mittleres Gewicht Coupled wheelset middle weight	126590	11
12	Kuppelradsatz m.mittl.versetztem Gewicht Coupled wheelset w.middle shifted weight	126591	12
13	Vorlaufradsatz Pony truck wheelset	126592	9
14	TS-Kuppelstangen Part set coupling rods	139724	15
15	TS-Steuerung Parts set reversing gear	139722	10
16	TS-Luftkessel, Stützteile Part set of air tank, support parts	126599	6
17	Bremsbackensatz Brake shoes set	126600	7
18	Lokgrundrahmen Loco basic frame	148582	16
19	Lokplatine kpl.m. LED Printed circuit board complete for loco w.LED	141774	27
20	TS-Federn Part set springs	126616	9
21	SK-Schraube M1,6x5 mm SK-Screw	115317	4
22	SK-Schraube M1,6x3 mm SK-Screw	125023	3
23	TS-Steuerungsträger Part set of reversing gear bearing	126831	9



Pos. Nr. Pos.no.	Beschreibung Description	Art.-Nr. Art.no.	Preisgruppe Price bracket
<b>36088</b> DR BR 44 =			
<b>36089</b> = 🔊			
1	Haftringsatz 10Stk. 5,95x0,5x1,2 mm Set with traction tyres 10 pieces	948005	---
2	Schnecken Zahnrad Z=22/12 M=0,3 Worm gear wheel Z=22/12 M=0,3	86482	4
3	Zahnrad Z=19 Gear wheel Z=19	86499	3
4	Puffer rund flach Buffer round flat	107658	5
5	Puffer rund gewölbt Buffer round curved	107659	5
6	GF-Schraube M1,6x4 mm Self-tapping screw	114850	3
7	SK-Schraube M1,6x5 mm SK-Screw	115317	4
8	Schraube M2x8 mm Screw	120189	3
9	Profi Kupplung Profi coupling	130090	6
10	Brückenstecker Jumper	66710800	18
11	Tendergewicht Oberteil Tender ballast upper part	141176	6
12	TS-Tender-Führerhausleitungen Part set for tender and wires for driver's cab	126595	6
13	Tendergrundrahmen Tender basic frame	148584	12
14	Getriebebesatz 3-teilig Gear set 3-parts	126603	11
15	Tendergehäuse kpl. Tender body complete	148583	13
16	Tenderplatine kpl. Printed circuit board assembly for tender	141125	25
17	Tenderkontakthalter kpl.mit Litzen Tender contact support complete w.leads	126621	8
18	Tenderradsatz o. Haftring o. Zahnrad Tender wheelset w/o gear w/o traction tyres	126623	10
19	Tenderradsatz m. Haftring m. Zahnrad Tender wheelset w.gear wheel w.traction tyres	126624	12
20	Zurüstbeutel Bag with accessories	126630	10
21	TS - Tendergriffstangen+Federn Part set tender handles and springs	126631	10
22	Motor m. Schwungmasse+2 Schnecken Motor w. flywheel+2 wormgears	126622	28
23	Schaumstoff für Schalldämmung Anti-noise foam material	126838	4
24	Kohlestaubbunker Coaldust reservoir	141175	9
25	Deichselfederdraht Drawbar spring	139806	4
26	Zugfeder Draw spring	109832	3
27	DG-Blende+Bremssbacken Bogie frame + Brake shoes	129591	8
28	Tenderkupplungsdeichsel Tender coupling drawbar	129594	6
29	Tendertürfeder Tender door spring	140503	4
<b>Sound</b>			
30	Sounddecoder Sound-decoder	141185	39
31	Lautsprecher Loudspeaker	68701100	16